

BOLLY® 2 ST INOX HE

316 L STAINLESS STEEL CALORIFIER WITH 2 FIXED HEAT EXCHANGERS



APPLICATION

Production and storage of sanitary hot water.

MATERIAL

Stainless Steel 316 L suitable drinkable water according to D. M. n. 174 dated 06.04.04.

HEAT EXCHANGER:

2 stainless steel 316L fixed heat exchangers.

INSULATION

Ecological hard polyurethane foam with high thermal insulation. For models >500 NOFIRE polyester fibre 100% made of recyclable material, with high thermal insulation. Fire resistance class B-s2d0 according to EN 13501. PVC external lining complete with top and flange cover.

CATHODE PROTECTION

Magnesium anode.

DRAIN

External confluence through drain connection.

GASKET- FLANGE PLATE

Silicone gaskets suitable for alimentary use for max temperature up to 200°C; Stainless steel inspection flange plate.

WARRANTY

- 5 years- See general sales conditions and warranty.

ACCESSORIES AND SPARE PARTS

See Accessories section for the entire list.



BOLLY® 2 ST XB-XC HE

Model	D.H.W. Storage: STAINLESS STEEL Heat Exchanger: STAINLESS STEEL	ENERGY EFFICIENCY CLASS	HEAT EXCHANGER SURFACE	
			Upper	Lower
	Art. Nr.		[m²]	
150	3135052010351	C	0,4	0,6
200	3135052010352	C	0,5	1
300	3135052010353	C	0,85	1,5
500	3135052010355	C	1,2	2,1
800	3133052010016	C	1,5	2,7
1000	3133052010017	C	1,8	3,4
1250	3133052010018	C	2,1	3,7
1500	3133052010019	C	2,1	3,7
2000	3133052010020	C	2,3	4,1



Designed according to 2009/125/CE Directive (ErP – Eco-friendly Plan Specification), HE series are already compliant with Regulation n. 814/2013, that demands C-energy efficiency class from September, 26th 2017.

Accessories on request

“Easy Control” Electronic Display

See accessories section



Thermometer

Art. Nr.

5032240000107

5 units box

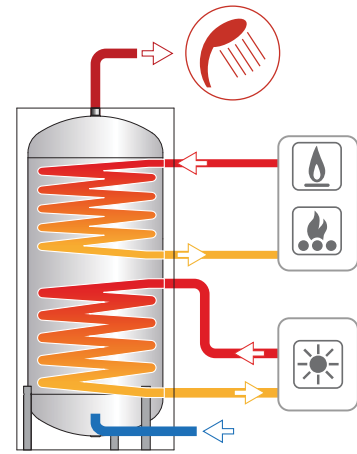


BOLLY® 2 ST INOX HE

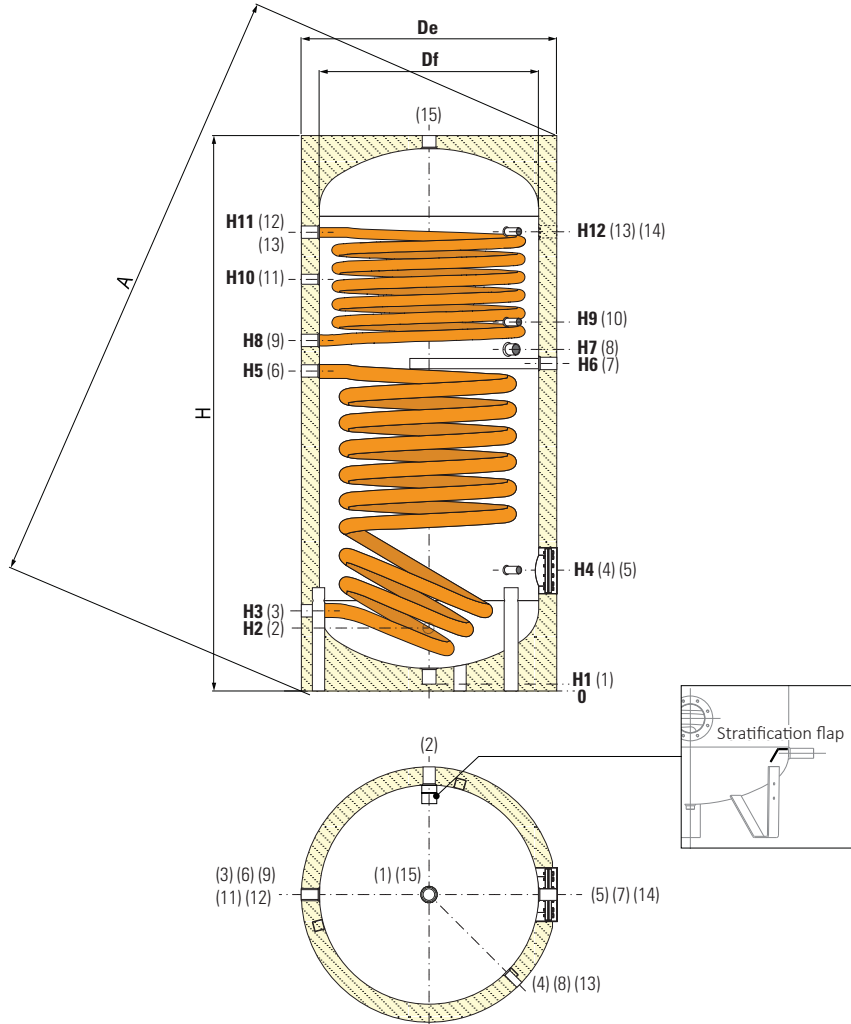
316 L STAINLESS STEEL CALORIFIER WITH 2 FIXED HEAT EXCHANGERS

STORAGE		HEAT EXCHANGERS	
Pmax	Tmax	Pmax	Tmax
6 bar	95 °C	12 bar	110 °C

CORDIVARI® Lab
 TÜV Rheinland
 Energie und Umwelt
 GmbH states that test
 procedures and Cordivari LAB are
 certified conforming to European
 standard EN 15332, as indicated
 by Ecodesign ErP Directive.



STAINLESS STEEL
CALORIFIERS



1	Drain
2	Domestic cold water circuit inlet
3	Heating water back to the buffer
4	Connection for instrumentation 1/2" Gas F
5	Blind flange for inspection
6	Entry heating water from the buffer
7	Connection for magnesium anode 1"1/4 Gas F
8	Connection for electrical immersion
9	Lower heat exchanger outlet
10	Connection for instrumentation 1/2" Gas F
11	Recirculation
12	Fixed upper heat exchanger inlet
13	Connection for instrumentation 1/2" Gas F
14	Connection for 2nd anode 1"1/4 Gas F (from 800 to 2000 lt)
15	Domestic hot water outlet

Model	Net Volume [litres]	Df	De	H	A	H1	H2	H3	H4	H5	H6	H7
						[mm]						
150	143	400	500	1426	1511	71	211	276	316	766	816	886
200	182	450	550	1446	1547	71	221	296	326	822	866	926
300	278	550	650	1501	1636	76	251	326	386	847	886	946
500	481	650	750	1796	1946	71	271	356	411	1046	1086	1154
800	721	790	990	1893	2136	114	338	423	478	998	1043	1113
1000	868	800	1000	2162	2382	112	342	422	487	1266	1292	1347
1250	1221	950	1150	2143	2432	118	328	438	483	1213	1248	1318
1500	1347	1000	1200	2127	2442	93	342	452	497	1227	1242	1302
2000	1963	1250	1450	2000	2470	85	365	475	520	1035	1065	1160

Model	H8	H9	H10	H11	H12	1	2	5	8	3- 6- 9- 12	11	15
	[mm]					Connections Gas F		[mm]	Connections Gas F			
150	946	995	1066	1186	1186	1/2"	3/4"	Øi 120	1"1/2	1"	3/4"	1"
200	971	1056	1100	1206	1206	1/2"	3/4"	Øi 120	1"1/2	1"	3/4"	1"
300	996	1072	1116	1236	1236	1/2"	1"	Øi 120	1"1/2	1"	1"	1"
500	1196	1274	1341	1485	1496	1/2"	1"	Øi 120	1"1/2	1"	1"	1"
800	1163	1260	1331	1475	1533	3/4"	1"	Øi 120	2"	1"1/4	1"	1"1/4
1000	1382	1442	1567	1802	1802	3/4"	1"	Øi 120	2"	1"1/4	1"	1"1/4
1250	1368	1427	1578	1788	1798	1"	1"1/4	Øi 160	2"	1"1/4	2"	2"
1500	1332	1462	1542	1752	1762	1"	2"	Øi 160	2"	1"1/4	2"	2"
2000	1215	1345	1390	1565	1575	1"	2"	Øi 160	2"	1"1/4	2"	2"

P.E.D. product planned and produced in conformity to the article 3.3 of directive 92/23/CE